




WALL KEY	
	EXISTING WALL
	NEW WALL CONSTRUCTION
	DEMO EXISTING WALL



TerraLogos:
eco architecture, pc
2901 E. Baltimore
Suite 300
Baltimore, MD 21224
p: 410.276.8519
www.terralogos.com

2906 CORNWALL RD
DUNDALK, MD 21222

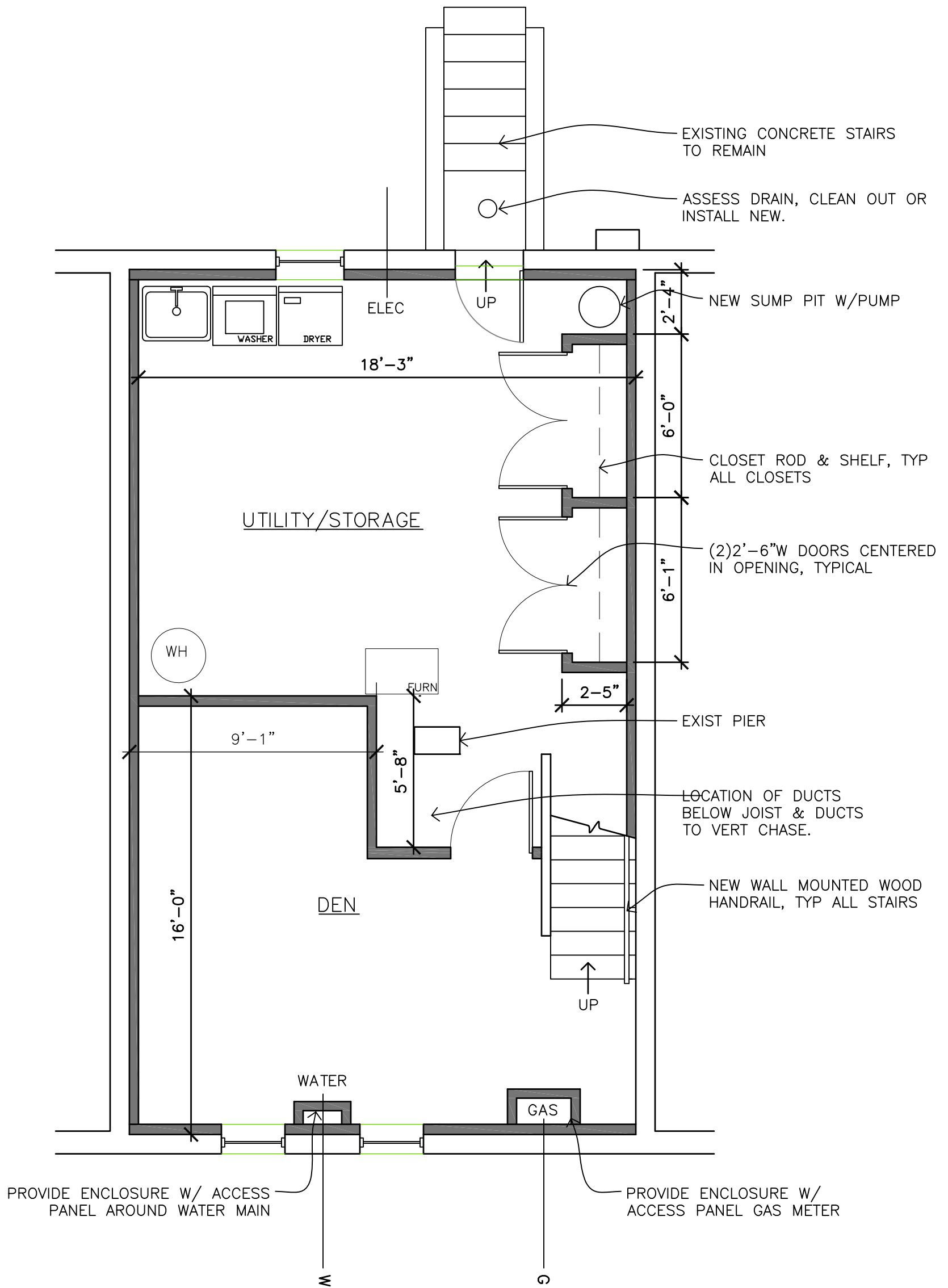
SECOND FLOOR PLAN



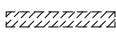
SCALE:
1/4" = 1'-0"

DATE:
9/2/11

SHEET NO.

A3



WALL KEY	
	EXISTING WALL
	NEW WALL CONSTRUCTION
	DEMO EXISTING WALL



TerraLogos:
eco architecture, pc
2901 E. Baltimore
Suite 300
Baltimore, MD 21224
p: 410.276.8519
www.terralogos.com

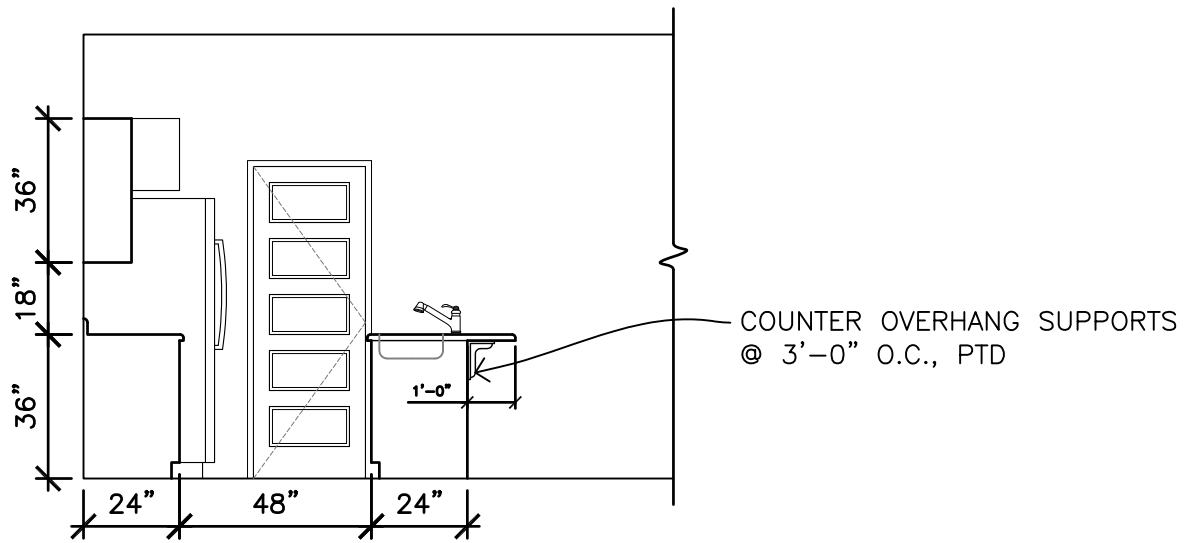
2906 CORNWALL RD
DUNDALK, MD 21222

BASEMENT PLAN

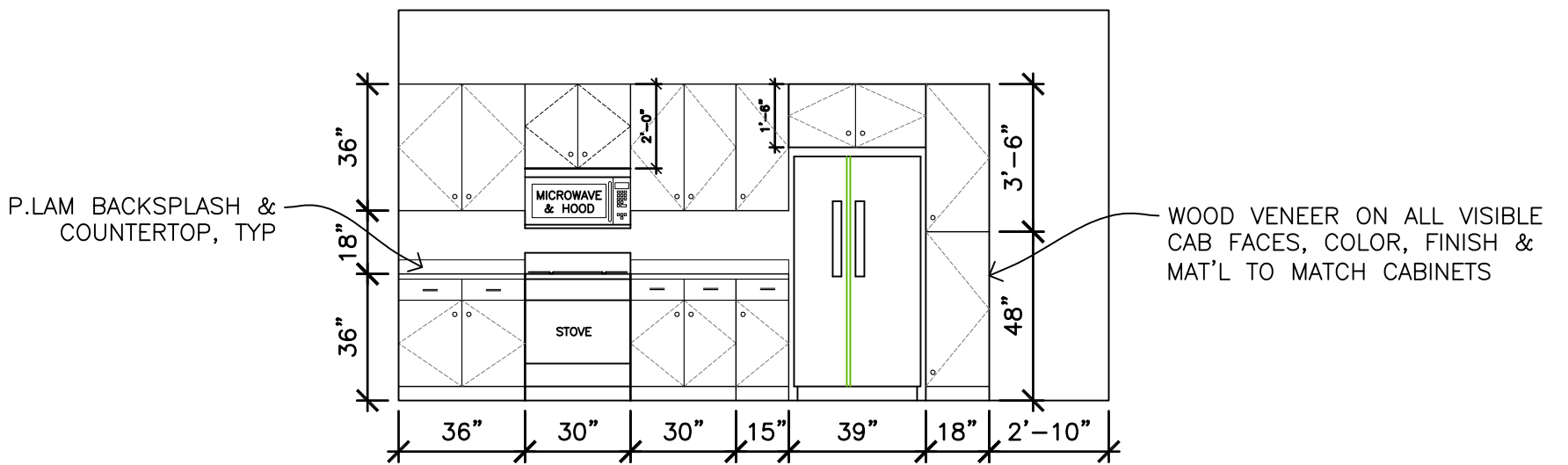
SCALE:
1/4" = 1'-0"

DATE:
9/2/11

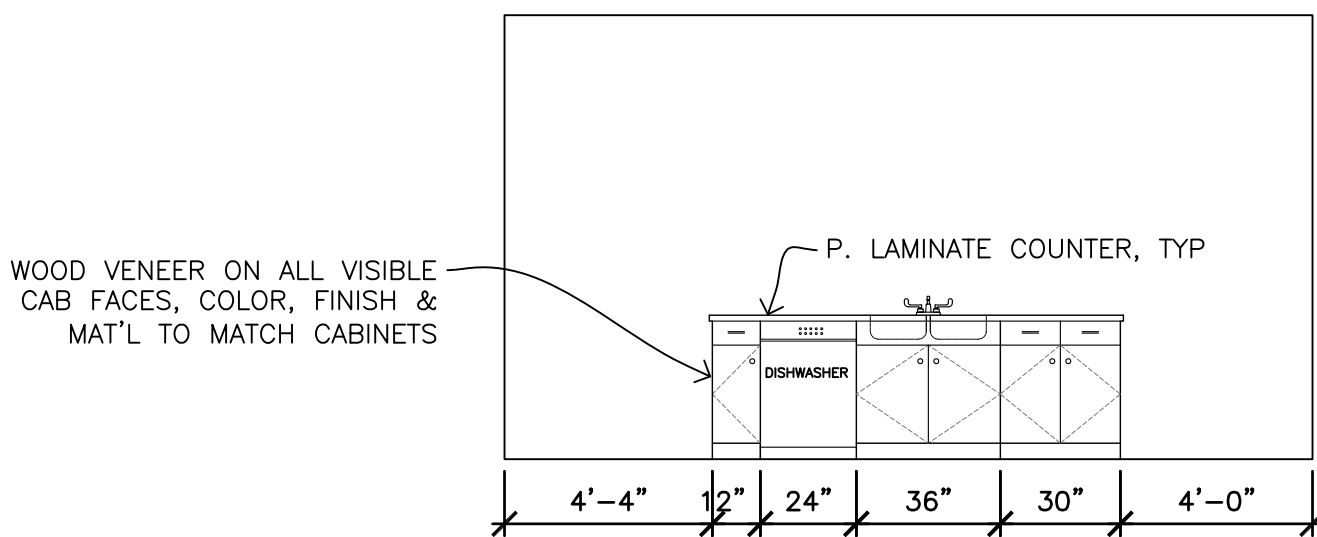
SHEET NO.
A1



KITCHEN ELEVATION 1



KITCHEN ELEVATION 2



KITCHEN ELEVATION 3

WALL KEY	
	EXISTING WALL
	NEW WALL CONSTRUCTION
	DEMO EXISTING WALL



TerraLogos:
eco architecture, pc
2901 E. Baltimore
Suite 300
Baltimore, MD 21224
p: 410.276.8519
www.terralogos.com

2906 CORNWALL RD
DUNDALK, MD 21222

KITCHEN ELEVATIONS

SCALE:
1/4" = 1'-0"

DATE:
9/2/11

SHEET NO.

A4